

# DEUTZ TCD 4.1 & 6.1 Power Packs

108-241 hp / 80-180 kW ■ EU Stage IV & US EPA Tier 4 Final



The engine company.



## DEUTZ Factory-Built Power Packs

- DEUTZ factory-built Power Packs are compact, ready-to-install engine solutions for mobile machinery. Designed for use in the construction, agricultural and industrial markets, each Power Pack is fully tested and validated to offer a robust and completely integrated power package. Not only are they easy to install, but they also offer the industry's lowest installed and operational costs. And, they come with the same exclusive warranty as new DEUTZ engines.
- The DEUTZ TCD 4.1 and TCD 6.1 Power Packs are ready-to-run packages available in two different versions: open skid and closed skid. Each version is supported by a large range of options and accessories. Both the open skid and closed skid Power Packs are free-standing, and their after-treatment systems come installed by DEUTZ-trained personnel.
- The Power Packs feature the proven and robust, water-cooled, 4- and 6-cylinder inline diesel engines with cooled, external-exhaust-gas recirculation. Each unit includes a mounted cooling-and-guard package, and engines can be equipped with a suction or pusher fan.
- The engines meet the requirements of the EU Stage IV and US EPA Tier 4 with DVERT® selective catalytic reduction (SCR) and a diesel particulate filter (DPF). These units already comply with the latest EU Stage V emissions standards. Versions are also available for export to lower regulated countries (LRC).
- DEUTZ factory-built Power Packs offer the renowned performance and reliability associated with all DEUTZ engines and powered equipment. They're ideal for use in a wide range of equipment, including:
  - ▲ De-watering pumps
  - ▲ Oil field pumps
  - ▲ Sewer vacuums and pumps
  - ▲ Wood chippers
  - ▲ Construction machinery
  - ▲ Specialty machinery
  - ▲ Agricultural machinery
  - ▲ Irrigation pumps

**And, no matter where you are in the world, DEUTZ service is always close by, ensuring maximum availability and service life for your DEUTZ engines and equipment.**

Engine type		TCD 4.1 L4	TCD 6.1 L6
No. of cylinders		4	6
Bore/stroke	mm   in	101/126   4.0/ 5.0	101/126   4.0/ 5.0
Displacement	l   cu in	4.1   250	6.1   370
Max. nominal speed	min <sup>-1</sup>   rpm	2300	2300

Engine type		TCD 4.1 L4	TCD 6.1 L6
Power output as per ISO 14396 1)	kW   hp	115   154	180   241
at speed	min <sup>-1</sup>   rpm	2300	2300
Max. torque	Nm   lb/ft	610   450	1000   738
at speed	min <sup>-1</sup>   rpm	1600	1450
Minimum idling speed	min <sup>-1</sup>   rpm	800	600
Specific fuel consumption 2)	g/kWh   lb/hph	208   0.34	200   0.33
Engine Weight as per DIN 70020 Part 7A 3)	kg  lb	400   882	620   1367

1) Power data without deduction of fan power.

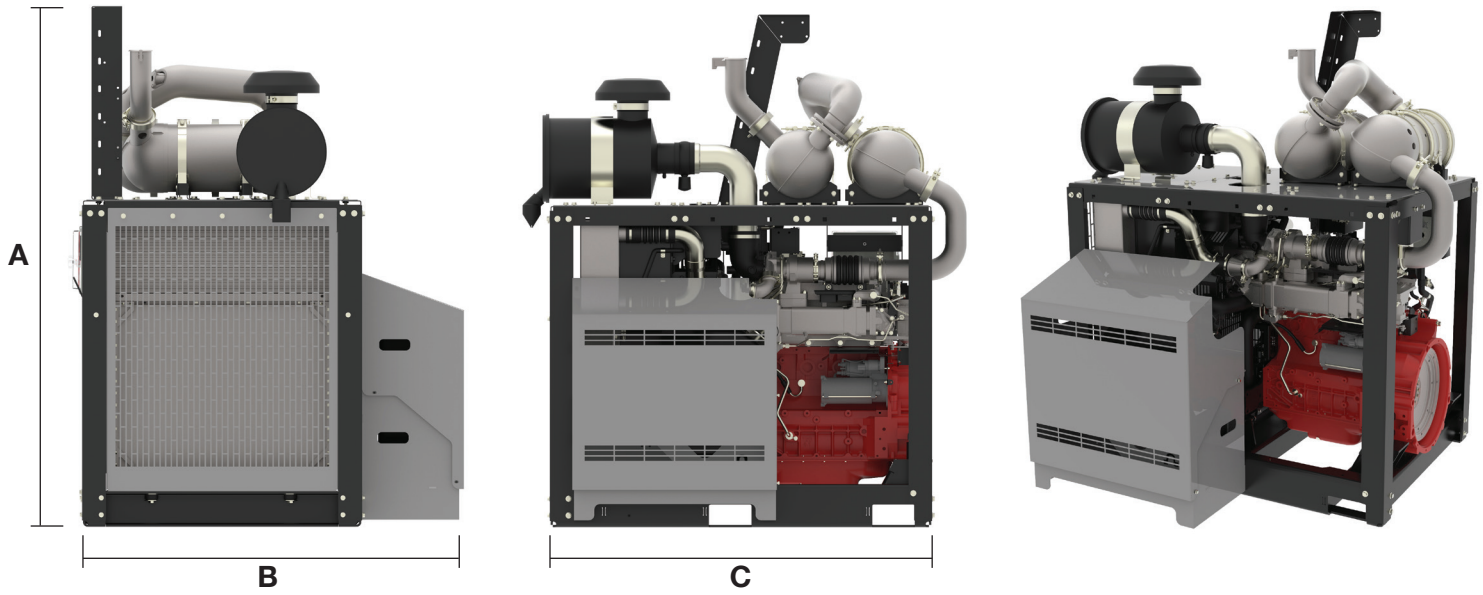
2) Best point consumption refers to diesel with a density of 0.835 kg/dm<sup>3</sup> at 15°C.

3) Without starter/alternator, cooler and fluids but with flywheel and flywheel housing.

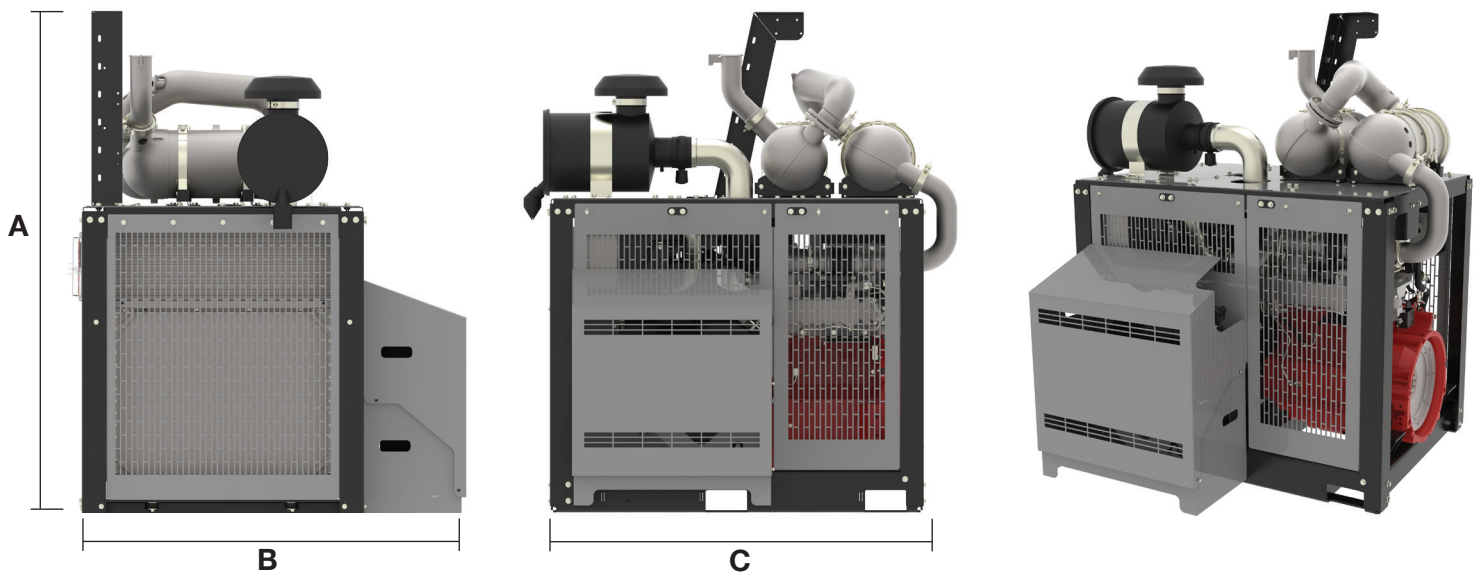
The data on this data sheet are for information purposes only and are not binding values. The data in the quotation is definitive.

**The engine company.**



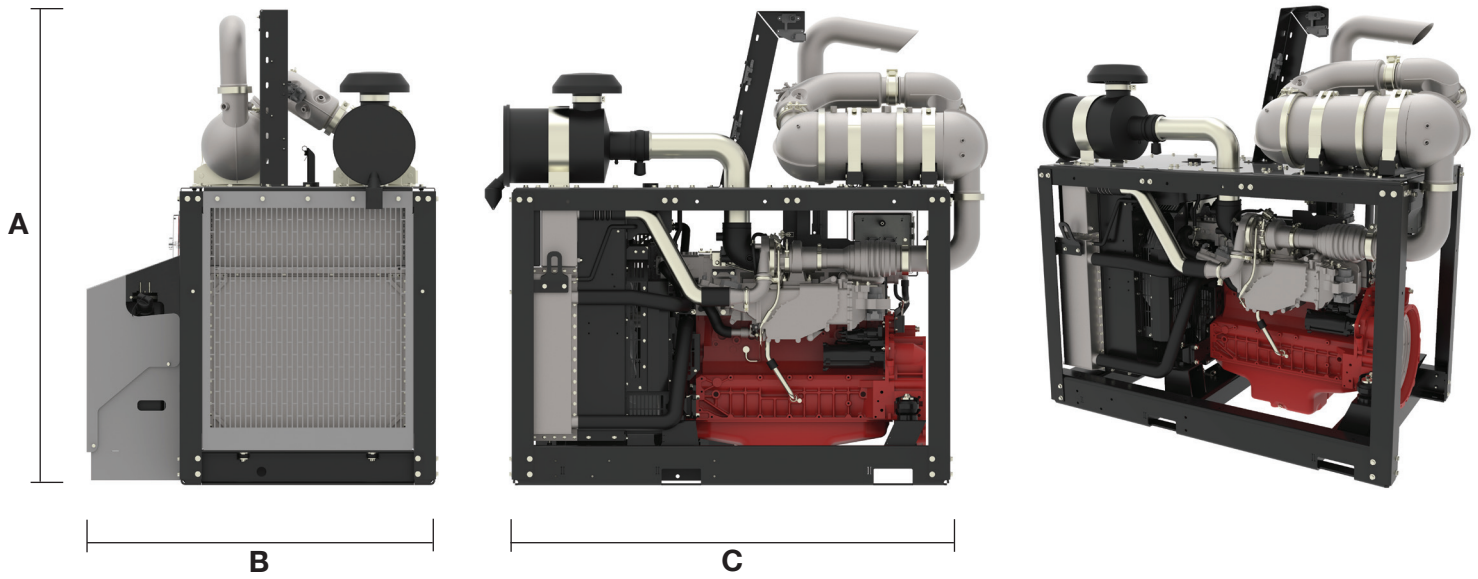


TCD 4.1 OPEN		A	B	C
TCD 4.1	mm/in	1842/72.5	1351/53.1	1376/54.1

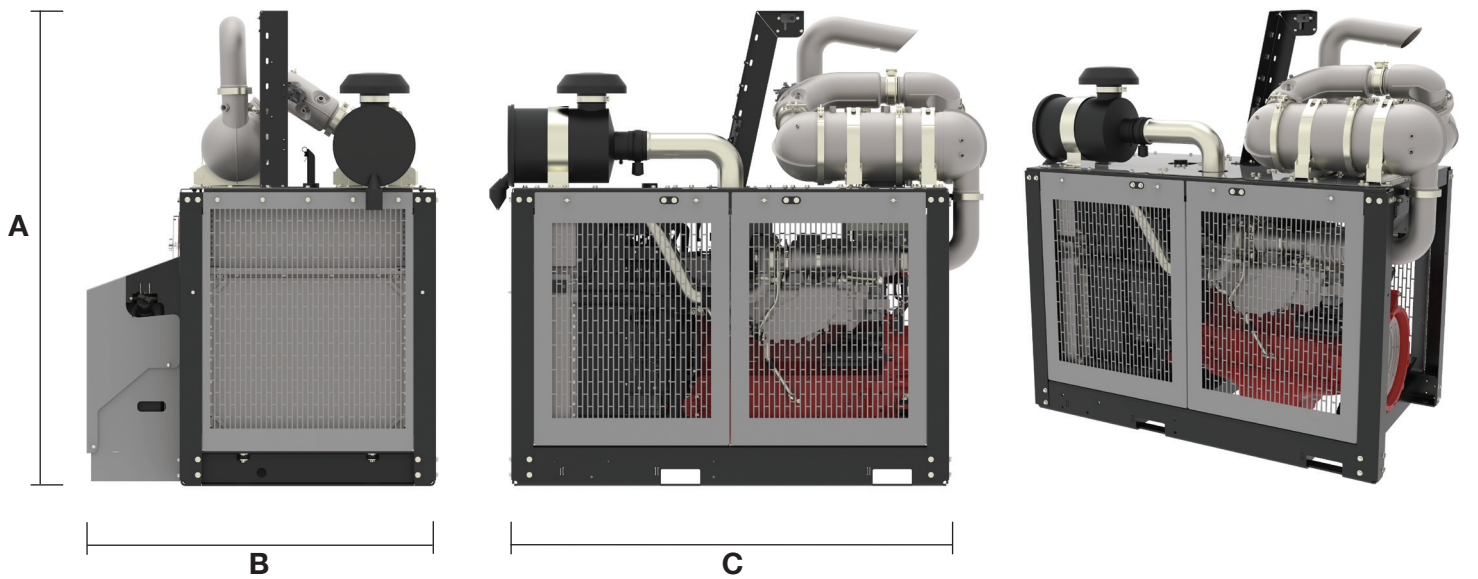


TCD 4.1 CLOSED		A	B	C
TCD 4.1	mm/in	1842/72.5	1351/53.1	1376/54.1





TCD 6.1 OPEN		A	B	C
TCD 6.1	mm/in	1840/72.4	1353/53.2	1698/66.8



TCD 6.1 CLOSED		A	B	C
TCD 6.1	mm/in	1840/72.4	1351/53.1	1694/66.6

**DEUTZ Corporation**  
 3883 Steve Reynolds Blvd. | Norcross, GA 30093 USA  
 Phone: 770 564 7100 | E-mail: info@deutzusa.com  
 www.deutzamericas.com

The engine company. **DEUTZ**
