

# DEUTZ D1.2 Power Pack

13-18 kW / 17-24 hp at 1800-2800 min-1/rpm ■ EU Stage V / US EPA & CARB Tier 4



The engine company.



---

## DEUTZ Factory-Built Power Packs

- DEUTZ factory-built Power Packs are compact, ready-to-install solutions for off-highway mobile and stationary machinery.
- Designed for use in the construction, agricultural and industrial markets, each Power Pack is fully tested and validated to offer a robust and completely integrated power package.
- The extremely compact engine design and customer friendly accessories reduce the installation cost and increase the number of applications.
- Not only are they easy to install, but they also offer the industry's lowest installed and operational costs. And, they come with the same exclusive warranty as new DEUTZ engines.
- The DEUTZ D1.2 Power Pack is in a ready-to-run, pedestal-mounted package and is supported by a large range of options and accessories.
- The DEUTZ D1.2 Power Pack features a proven and robust, water-cooled, indirect injection 3-cylinder inline diesel engine. Each unit includes a mounted cooler and guard package, and engines can be equipped with a suction or pusher fan.
- The engines meet the requirements of the US EPA/CARB Tier 4 and EU Stage V emissions standard without exhaust aftertreatment.
- The D1.2 Power Pack is also suitable for export to lower regulated countries (LRC).
- These compact, rugged engines are suitable for use in a wide range of applications while offering the renowned performance and reliability associated with all DEUTZ engines and powered equipment:
  - ▲ De-watering pumps
  - ▲ Wood chippers
  - ▲ Welders
  - ▲ Small agricultural machinery
  - ▲ Walk-behind and small construction machinery
  - ▲ Irrigation pumps
  - ▲ Trenching equipment
  - ▲ Scissor lifts
  - ▲ Sewer vacuums and pumps
  - ▲ Specialty machinery

**And, no matter where you are in the world, DEUTZ service is always close by, ensuring maximum availability and service life for your DEUTZ engines and equipment.**

**The engine company.**

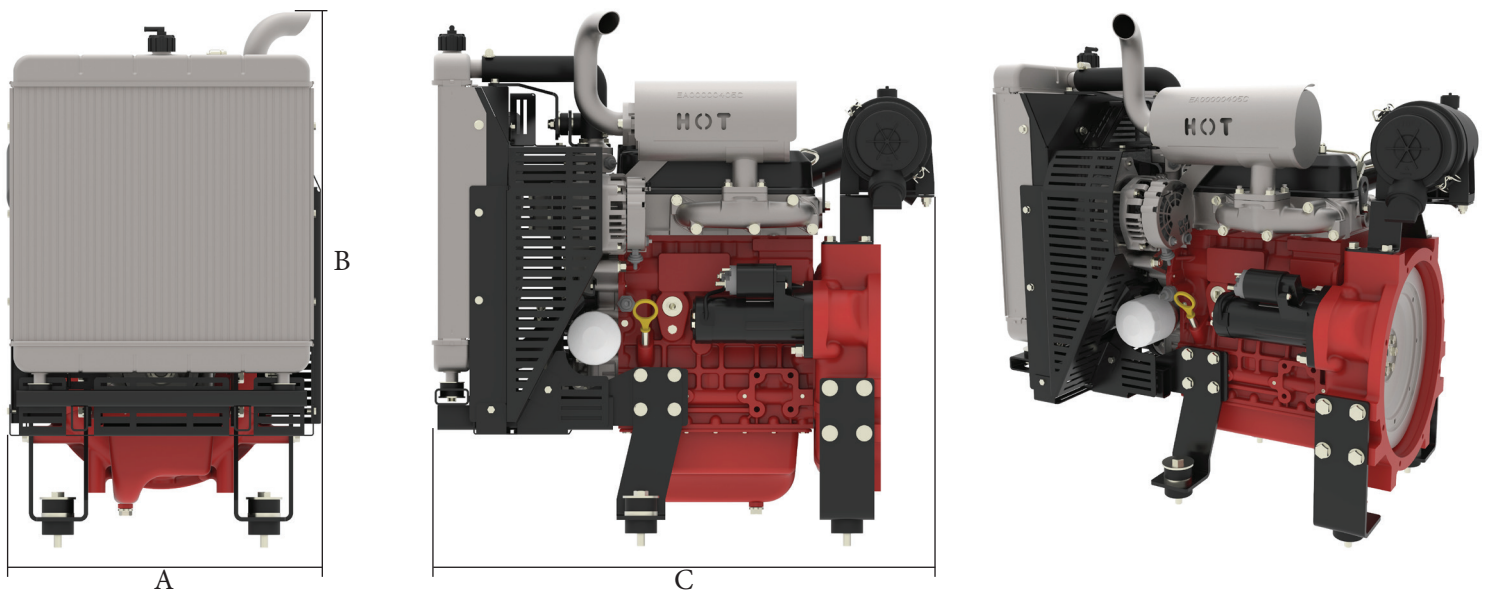
---

| Engine type        |             | D 1.2 L3              |
|--------------------|-------------|-----------------------|
| No. of cylinders   |             | 3                     |
| Bore / Stroke      | mm   (in)   | 78   82 (3.07   3.23) |
| Displacement       | l   (cu.in) | 1.18 (72.01)          |
| Max. nominal speed | min-1   rpm | 2800                  |

| Engine type                                   |             | D 1.2 L3      |
|---|-------------|---------------|
| Power output as per ISO 14396 <sup>1)</sup>   | kW   (hp)   | 17.9   (24.0) |
| at speed                                      | min-1   rpm | 2800          |
| Max. torque                                   | Nm   lb/ft  | 65   48       |
| at speed                                      | min-1   rpm | 2200          |
| Minimum idling speed                          | min-1   rpm | 1000          |
| Weight as per DIN 70020 Part 7A <sup>2)</sup> | kg   lb     | 120   264     |

1) Power data without deduction of fan power.

2) Without starter/alternator, cooler and fluids but with flywheel and flywheel housing.



| PEDESTAL POWER PACK |       | A        | B          | C          |
|---------------------|-------|----------|------------|------------|
| D 1.2               | mm/in | 461/18.1 | 773.8/30.5 | 744.2/29.3 |





**DEUTZ Corporation**  
3883 Steve Reynolds Blvd. | Norcross, GA 30093 USA  
Phone: 770 564 7100 | E-mail: [info@deutzusa.com](mailto:info@deutzusa.com)  
[www.deutzamericas.com](http://www.deutzamericas.com)

The engine company.  **DEUTZ**<sup>®</sup>