

DEUTZ TCD 2.2

For Tractors

45–55.4 kW | 60-74 hp at 2200-2600 min⁻¹/rpm | EU Stage V



The DEUTZ TCD 2.2 is the compact, water-cooled 3-cylinder inline engine for tractors with a power range from 45 to 55.4 kW.

DISCOVER THE TCD 2.2

- Newly-designed, water-cooled 3-cylinder inline engine with powerful common rail injection system, turbo charging and charge air cooling.
- Engine and exhaust aftertreatment (EAT) are optimised for highest total system efficiency and thus ensure lowest consumption and cost.
- The engines meet the requirements of the EU Stage V and US EPA Tier 4 with DVERT[®] particulate filter (DPF). A variant without EAT is available as an option for less regulated markets.
- The engine family 2.2 / 2.9 is based on an integrative platform. The installation dimensions and customer interfaces are almost identical, so that a uniform solution is available over a wide range of applications.
- The extremely compact engine design and customer friendly accessories reduce the installation costs and increase the number of applications.
- Best cold starting performance even under extreme conditions.
- 100% power take-off at flywheel and front end and additional side PTO drive with up to 120 Nm for the mounting of up to two hydraulic pumps.
- 500 h oil change intervals and a maintenance-free valve train result in low maintenance costs and increased machine availability.



TECHNICAL DATA

Engine type		TCD 2.2 L3	
No. of cylinders		3	
Bore/stroke	mm in	92/110 3.62/4.33	
Displacement	l cu in	2.2 0.73	
Max. nominal speed	min ⁻¹ rpm	2600	

Engine type		TCD 2.2 L3		
Power output as per ISO 14396 ¹⁾	kW hp	45 60	50 67	55.4 74
at speed	min ⁻¹ rpm	2600	2600	2600
Max. power	kW hp	47 63	51.8 69	55.4 74
at speed	min ⁻¹ rpm	2300	2300	2300
Max. torque	Nm lb/ft	280 207	280 207	280 207
at speed	min ⁻¹ rpm	1600	1600	1600
minimum idling speed	min ⁻¹ rpm	900	900	900
Specific fuel consumption ²⁾	g/kWh lb/hph	216 0.355	216 0.355	216 0.355
Weight	kg lb	268 591	268 591	268 591

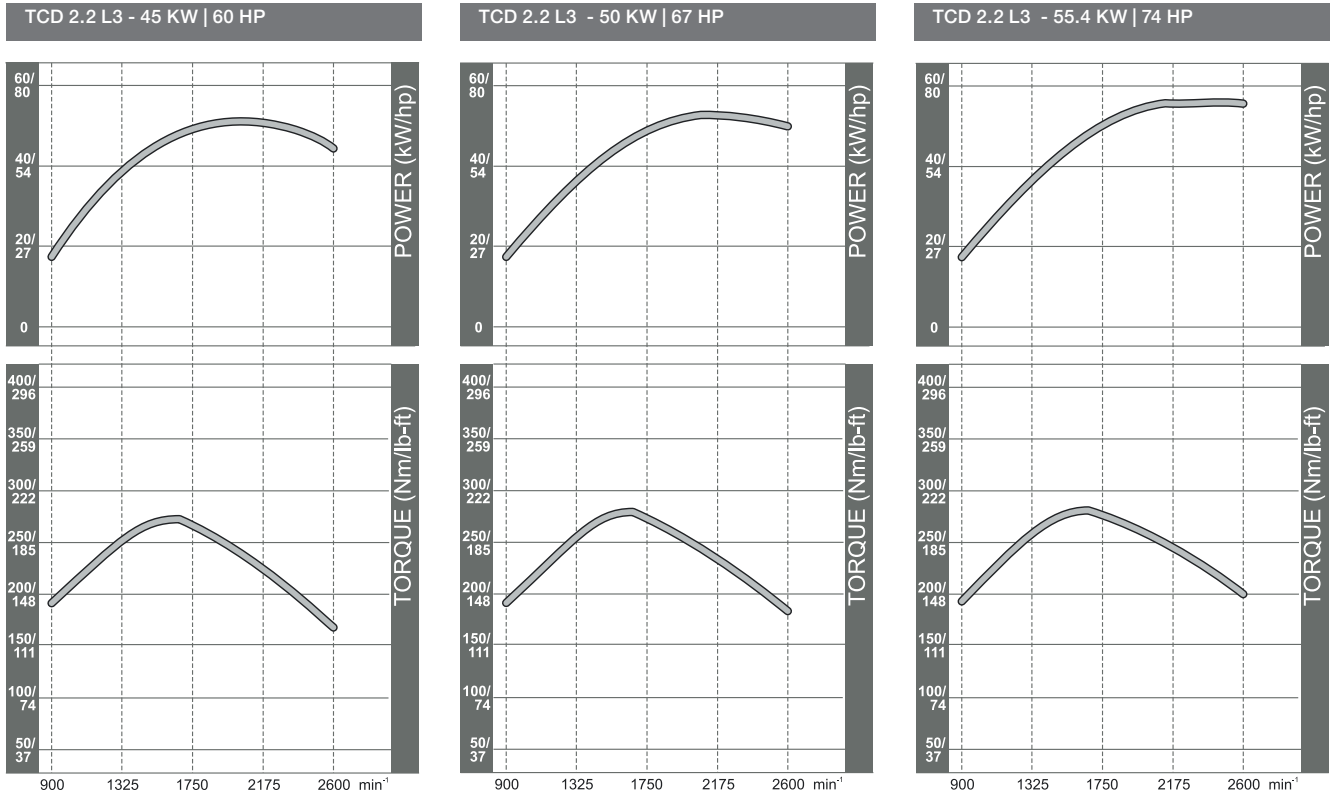
1) Power data without deduction of fan power.

2) Best point consumption refers to diesel with a density of 0.835 kg/dm³ at 15°C.

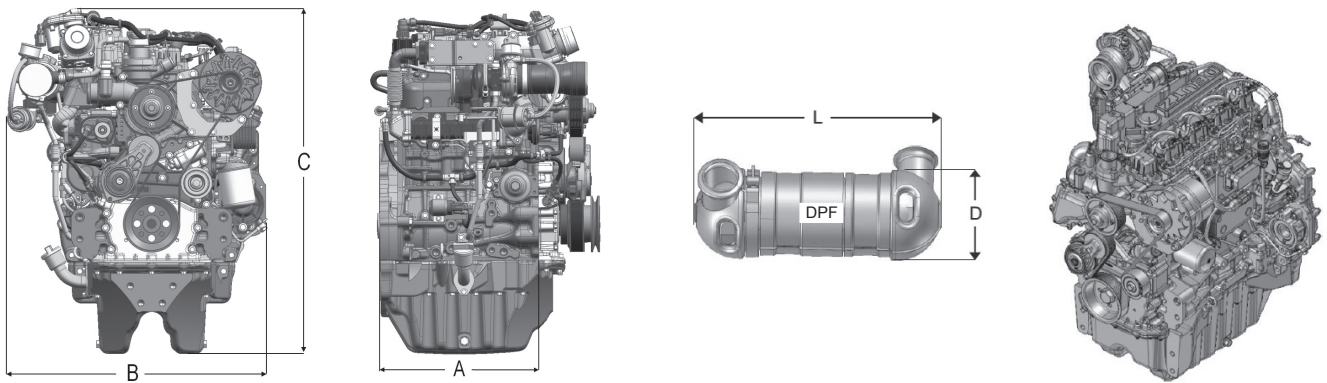
The engine company.



TORQUE CURVES



DIMENSIONS



TCD 2.2 L3	mm in	A	B	C	D	L	DPF for Stage V
		377 14.8	593 23.3	803 31.6	190 7.5	380 15.0	■

■ Standard

Note: The engine dimensions and weights vary depending on the scope of delivery.

DEUTZ AG
 Ottostraße 1
 51149 Köln
 Deutschland
 Tel. +49 221 822-0
 Fax: +49 221 822-3525
 info@deutz.com
 www.deutz.com

DEUTZ Asia-Pacific (Pte) Ltd.
 10 Gul Crescent
 Singapore 629523
 Phone: +65 66 72 7800
 Fax: +65 62 64 1779 / 62 65 3007
 E-mail: dap@deutz.com
 www.deutz.com.sg

DEUTZ Corporation
 3883 Steve Reynolds Blvd.
 Norcross, GA 30093
 USA
 Phone: +01 (770) 564 - 7100
 Fax: +01 (770) 564 - 7222
 www.deutzamericas.com

